



PAWS

POWER ASSISTED WHEELCHAIR SYSTEMS





THIS.
RETAILERS'
CHOICE PRODUCT
OF THE YEAR 2021

ABOUT REHASENSE

Rehasense is a global healthcare company with a comprehensive portfolio of mobility and care solutions. We aim to provide our customers with mobile freedom and independence, supporting them in their family, social and professional lives.

We achieve this by thinking outside the box when developing future mobility solutions and by constantly

developing our products and knowledge. The dynamics in the company are characterised by an agile corporate structure and mutual respect.

We would like to take this opportunity to thank our customers for their trust in the Rehasense brand and its products.

TOP TECH EXPERTS

The interdisciplinary Rehasense team is made up of specialists in engineering, product design and the luxury goods industry with decades of professional experience.

Rehasense specialises in innovative quality products for the rehabilitation market with a focus on safety, compliance, design, and functionality. The product range includes mobility aids such as rollators, power add-on

devices, wheelchairs as well as care beds, transfer aids and ramps.

All products offered are manufactured in accordance with our certified Quality Management System (QMS), which complies with the international standards ISO 9001 and ISO 13485 as well as the legal requirements of the European Medical Device Regulation (MDR).

"Our goal is to improve people's mobility, independence and quality of life and provide them with a brighter future. That is what Rehasense stands for."

Roger Dutton
CEO Rehasense Group



PAWS

POWER ASSISTED WHEELCHAIR SYSTEMS

PAWS is the ideal power add-on for your wheelchair: PAWS combines ergonomics and functionality with appealing design and transforms your manual wheelchair into an exciting vehicle. Drive to work independently, go shopping or discover new places. PAWS is a great alternative to the car and allows you to enjoy your life independently.

There are three PAWS models available. The City comes with a 12" and 14" wheel has a short wheelbase and small turning circle and is ideal for use indoors or on smooth roads. The Cruiser has a 16" wheel and is suitable for use on medium to more challenging terrain. The Tourer has a 20" wheel which is available with two tyre widths - a 2" all-purpose tyre and a 4" fat tyre for rougher terrain.

Every PAWS creates new stories of freedom - whether you are meeting family and friends, participating in shared activities or embarking on a solo adventure. Enhance your independence with PAWS.



CITY

EXPERIENCE UNLIMITED MOBILITY

Let PAWS be part of your everyday mobility: Drive to work with ease and do your shopping comfortably on the way home. PAWS City is available with a 12" or 14" drive wheel and is primarily designed for driving around town and on smooth road surfaces. With a small turning circle of one metre, the City is equally at home in an indoor environment. From hard and plain surfaces to slightly uneven pavements and flattened curbstones - PAWS City takes you where you want to go.



PAWS CLAMPS

Thanks to the manual quick release MANUAL CLAMP, the locking and unlocking process is very user friendly. No frame modifications or add-ons are necessary. Once docking is complete, MANUAL LIFT allows you to lift yourself into the driving position using the release button on the handlebars.

Configuration shown: City 12-inch, standard handles, MANUAL CLAMP & MANUAL LIFT

CRUISER

ENJOY YOUR INDEPENDENCE

For those who like to be on the move, PAWS Cruiser is the perfect choice. This powerful add-on for manual wheelchairs is versatile, whether it is around town or along a forest trail. The 16" drive wheel transports you safely over slightly uneven terrain and opens up a new world of independence. Enjoy a relaxed day out with PAWS.



EFFORTLESS DOCKING TO YOUR WHEELCHAIR

With the fully automatic AUTO CLAMP and AUTO LIFT, the locking and unlocking process as well as the lifting and lowering is exceptionally comfortable for the user.

Configuration shown: Cruiser 16-inch, standard handles, AUTO CLAMP & AUTO LIFT

TOURER

DISCOVER NEW PLACES WITH PAWS

Do you like going to new places? With PAWS Tourer you can feel confident even in unexplored places. Designed primarily for off-road use, the PAWS Tourer can overcome sand, gravel, cobblestones and much more. PAWS Tourer has the longest wheelbase in the PAWS range. So while the large 20" drive wheel overcomes roots and uneven terrain, it also provides a smooth and stable ride while touring.



TETRA CONTROLS

Tetra controls allow you to drive easily, even with reduced upper body strength and control.

TIP:

Equipping your Tourer with the 20" tall and 4" wide (FAT TYRE) drive wheel makes it ideal for your next off-road adventure. This configuration will easily get you to places that would be difficult for other models.

Configuration shown: Tourer 20" with 4" FAT TYRE, Tetra Controls, AUTO CLAMP & AUTO LIFT

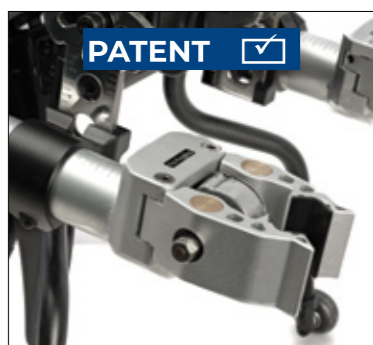
SPECIAL FEATURES

1 AUTO CLAMP & AUTO LIFT

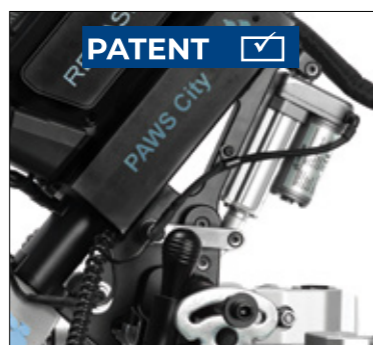
WORLD'S FIRST

Thanks to the innovative AUTO CLAMP and AUTO LIFT functions, the docking and lifting process is very user friendly. This is also possible with reduced finger and hand functions as well as limited body strength.

Simply drive your wheelchair into the clamps, press the Red Button on the handlebar, followed by the release switch. The clamps close and lock automatically and you will be lifted effortlessly into the driving position.



AUTO CLAMP: automatic locking and unlocking



AUTO LIFT: automatic lifting and lowering



Rainer Küschall,
Race driver, inventor,
designer and co-founder
of PAWS

"My vision was to develop the best power add-on for wheelchair users. In cooperation with the Research and Development team, we have undoubtedly reached the next level of electric power add-ons.

I am particularly proud of the AUTO CLAMP and AUTO LIFT features. I truly believe that PAWS is a revolutionary product. I myself am a tetraplegic and throughout the years I have not found a power add-on which fulfilled all of my requirements. That's why it was important for me to ensure that PAWS was as user-friendly and safe as possible.

The innovative automatic clamping and lifting mechanism in combination with the tetra controls is fantastic for users with various medical conditions where not only the hand and arm functions are affected. Even users with various muscle disorders can operate PAWS thanks to the AUTO-AUTO/TETRA combination.

Therefore, PAWS provides wheelchair users around the world with new opportunities and helps them to enjoy their newfound independence. I hope that you too will experience all kinds of adventures with your PAWS in the future."

2 TETRA CONTROLS

THE GROUNDBREAKING SOLUTION FOR TETRAPLEGICS

Limited hand functions, often associated with severe paraplegia, present a particular challenge for using a power add-on.

Consequently, tetraplegics have rarely had the opportunity to use electric power add-ons and enjoy the independence they can offer. This is something we wanted to change!

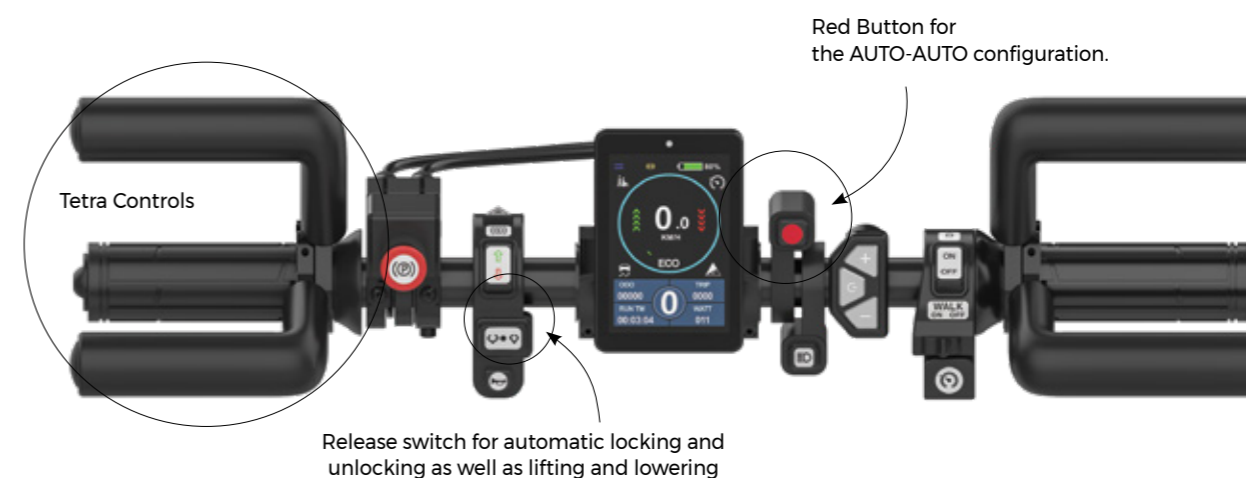
The result: tetra controls which can easily and safely be operated even by users with missing or limited hand functions.

STABILITY

TETRA is available in a horizontal and a vertical configuration for both right and left-handed users. The ergonomic shape of the handles and the individual adjustment options provide bilateral stabilisation as well as safe steering. Even manoeuvring around corners and uneven terrain can be comfortably accomplished.

TETRA BRAKE

Another innovation is the easy-to-use and adjustable brake for tetraplegics. It is optimised for weaker hand functions and suitable for most degrees of disability.



TETRA CONTROLS WITH THE "RED SAFETY BUTTON"

The Red Button is an additional safety feature. It must be pressed to activate the release switch for the AUTO-AUTO function. When the user presses the Red Button, they have 20 seconds to operate the release switch. This ensures that the release switch cannot be activated accidentally while driving.

SPECIAL FEATURES

3

UNIVERSAL CLAMPING SYSTEM

PAWS has the simplest and most universal docking system on the market. With MANUAL CLAMP and AUTO CLAMP, either manual or fully automatic operation is possible. Once the wheelchair has rolled into the clamps, it can be locked and unlocked manually on both sides using a lever. The automatic locking and unlocking mechanism of PAWS is conveniently activated at the push of a button. The wide range of possibilities for adjustment ensures easy mounting on a variety of folding and rigid-frame wheelchairs. Thanks to the universal clamping system, no additional add-ons or modifications to your wheelchair are necessary.

LIFTING FUNCTION

Depending on the selected PAWS configuration, lifting is possible in two ways: Once docking is complete, you can lift yourself into the driving position with MANUAL LIFT using the release lever on the handlebar.

With AUTO LIFT you are automatically lifted into the driving position. Start by pressing the Red Button. Now you have 20 seconds to operate the release switch on the handlebar in order to start the automatic clamping and lifting mechanism. This solution was specifically developed for users with limited hand function and strength.



AUTO CLAMP



AUTO CLAMP for easy docking

4

ERGONOMICS & CONTROL

PAWS takes convenience to the next level. Engineers, ergonomists and therapists have worked together to create for you the most convenient product on the market. With the ability to adjust the height and depth, there is an extensive range of settings available to ensure you can set the handlebars to the optimum position for comfort and This is especially beneficial for quadriplegic and tetraplegic users. For MANUAL CLAMP & LIFT, a short or long wheelbase can be set, so-called DUAL DRIVING POSITION.

The display is mounted centrally on the handlebar and can be adjusted to the ideal position. Information on view includes your speed, travel distance, battery status and activated assistance systems. The brightness of the display automatically adjusts to the existing level of ambient light.



Parking position



Touring position



City position



Standard handles



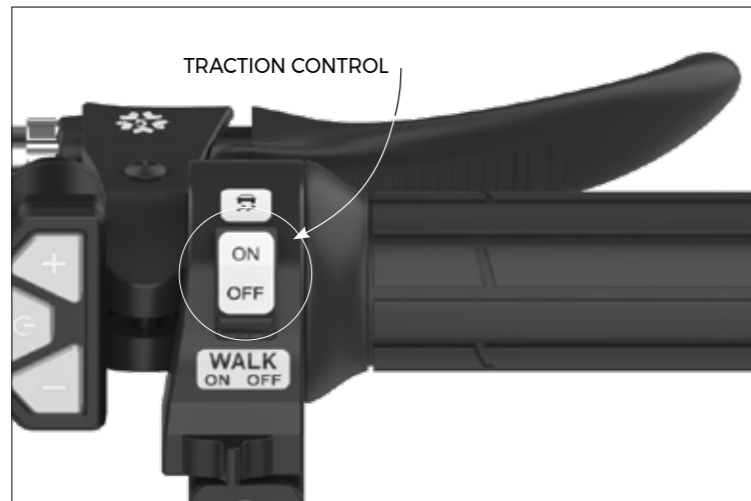
Tetra Controls

SPECIAL FEATURES

5 ASSISTANCE SYSTEMS

TRACTION CONTROL

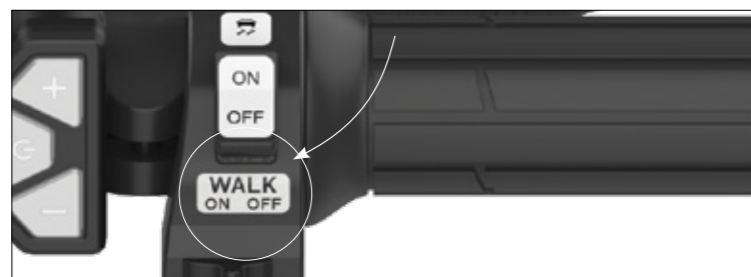
The on/off switch for TRACTION CONTROL is positioned on the right-hand side of the handlebar. TRACTION CONTROL maintains wheel-to-road traction in slippery or challenging driving conditions. With its help, wheel spin is largely prevented, thereby optimising your PAWS' traction.



TIP:
You can adjust the intensity of the traction control in up to 10 steps to suit your individual needs.

WALK

You can set a steady walking speed ranging from 2-6 km/h.



CRUISE CONTROL

A steady driving speed can be set for longer trips without the need to hold the throttle in position.



6

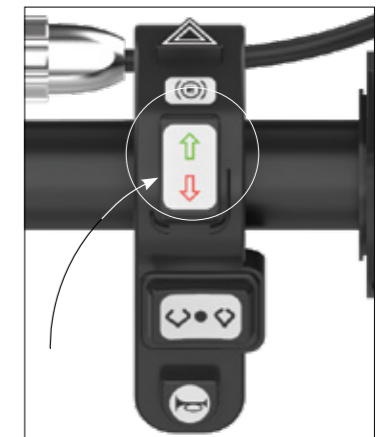
SPEED

PAWS has a maximum driving speed of 15 km/h. Speeds up to 28 or 32 km/h* are only available on special request for qualified users. With the help of a toggle switch you can switch between forward and reverse gear. For safety reasons, we recommend wearing a helmet.

Please note: PAWS may be delivered differently in your country to meet local regulations.

BRAKES

PAWS features an electrically assisted braking system. Equipped with a disc brake, two brake levers and two separate brake calipers, PAWS aims for maximum safety. The two brake calipers on the drive wheel provide an enhanced braking performance while also being a safety feature. The brakes can be operated by one hand or both, if heavy braking is needed. The electrically assisted braking system can easily be adjusted to your requirements via the display. For safety reasons, this adjustment is made through your Rehasense retailer.



Forward and reverse gear



TRACK ASSISTANCE

TRACK ASSISTANCE

PAWS is equipped with our TRACK ASSISTANCE. The self-centring steering system straightens PAWS after letting go of the handlebar. This provides increased comfort and above all safety while driving.



* Please note that in the area of application of the Road Traffic Act (StVO), the speed of 6 km/h may not be exceeded without compulsory insurance. When using the PAWS at 10 or 15 km/h within the area of application of the StVO, an individual approval according to StVZO and insurance according to the compulsory insurance law is necessary. Outside of Germany, it is essential that you inform yourself in detail about the country-specific legal regulations and provisions before using your PAWS.

SPECIAL FEATURES

REAL STORIES

7

BATTERY

The standard Lithium Ion battery (48 V, 11.6 Ah) has a capacity of 557 Watt hours. For a full charge, the battery only needs up to 5 hours of charging. On top of the battery is a charge level indicator. The smart charger cuts out once full charge is reached. On a full charge you can reach a range of up to 40 km (depending on terrain, driver weight and model chosen). With a convenient strap handle, it easily clips into the retainer and is secured in place with its own key and lock. An IATA compliant "flying" battery is also available for when you take your PAWS on a flight. Battery changes are easy and quick, so when it's running low, you can swap for a full one. For longer trips we suggest upgrading to the dual battery holder.

INGRESS PROTECTION

PAWS has an IP54 rating and is therefore protected against dust and water splashes from all sides. So rain, puddles or moisture are not an issue.

LIGHTING

PAWS is equipped with a powerful LED headlamp that provides both high and low beam.



Inserting the battery



"It is just incredible! A new feeling of freedom and independence."

Pontus Andersson, 26, triathlete, handbike racer and tennis player.



"I am now the coolest guy in school"

Zack, a 14-year-old student had been dependent on a wheelchair for 10 years and at school he was often left feeling disappointed as he was not able to ride with his friends when they are out on their bikes.



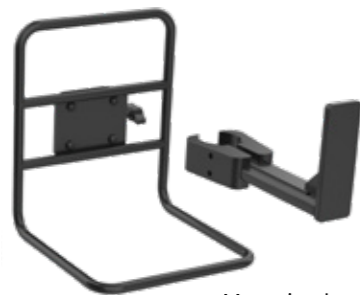
TYRE INFLATOR

The smart tyre inflator has a built-in rechargeable battery that drives a mini compressor for inflating the tyres. The pump automatically senses the set pressure limits and switches itself off. Charging takes place via the integrated USB-C port. Another highlight is the LED light, which turns the tyre inflator into a practical flash light.



BAG

Upgrade your PAWS with a handy and detachable carrier bag. It has a large inner compartment with plenty of storage space and a zip-up top. It is also water-repellent. On the left side, there is an outer pocket made of mesh material that offers enough space to fit a drinking bottle. Two additional small zipped pockets at the front and on the right, allow you to store items such as your keys or smartphone safely. A mount consisting of a luggage carrier and a support bracket is required for attaching the bag - it is easy to install. The bag can simply be pushed onto the luggage carrier from above. You can additionally secure your bag with the provided Velcro straps. This is especially recommended on cobblestones and uneven terrain.



Mounting brackets



FLIGHT BATTERY

An IATA-compliant "flight battery" is also available. The flight battery (278 Wh) has a lower capacity so that it can be carried on passenger planes according to IATA regulations. Changing the battery is quick and easy. Inform the airline when booking your flight that you will be travelling with your PAWS and wheelchair and that the Flight Battery complies with IATA regulations.



DUAL BATTERY HOLDER

Equip your PAWS with a second battery to extend your range. You can easily switch to the spare battery using the toggle switch on the DUAL BATTERY HOLDER. This will increase your safety, especially on longer trips.








Width Adjustment Rods. Enable fitting to a range of different wheelchair widths

PACKING

Your PAWS is delivered in durable packaging. If possible, keep this for a return or transport.

Each PAWS comes with a set of Allen keys

EXTRACT OF TECHNICAL DATA

					
	CITY 12"	CITY 14"	CRUISER 16"	TOURER 20" x 2"	TOURER 20" x 4" (FAT TYRE)
Measurements (L x W x H)	800 x 490 x 810 mm	800 x 490 x 810 mm	820 x 490 x 860 mm	1000 x 520 x 920 mm	1000 x 520 x 920 mm
Total weight	from 21,5 kg	from 22 kg	from 26,4 kg	from 27,5 kg	from 28,8 kg
Weight without battery	18,2 kg	18,7 kg	23,1 kg	24,2 kg	25,5 kg
Max. user weight	120 kg	120 kg	120 kg	120 kg	120 kg
Engine power	350 W	400 W	500 W	500 W	500 W
Max. engine torque	45 Nm	60 Nm	78 Nm	87 Nm	87 Nm
Climbing capability	10%	10%	10%	10%	10%
Turning radius	100 cm	110 cm	120 cm	150 cm	150 cm
Battery	48 V / 11,6 Ah / 557 Wh	48 V / 11,6 Ah / 557 Wh	48 V / 11,6 Ah / 557 Wh	48 V / 11,6 Ah / 557 Wh	48 V / 11,6 Ah / 557 Wh
Battery measurements (L x W x H)	371 x 130 x 86 mm	371 x 130 x 86 mm	371 x 130 x 86 mm	371 x 130 x 86 mm	371 x 130 x 86 mm
Battery weight	3,3 kg	3,3 kg	3,3 kg	3,3 kg	3,3 kg
Charging time (full charging cycle)	5 hrs	5 hrs	5 hrs	5 hrs	5 hrs
Max. Range (with full battery charge & flat terrain)	40 km	40 km	38 km	35 km	35 km
Flight battery	48 V / 5,8 Ah / 278 Wh	48 V / 5,8 Ah / 278 Wh	48 V / 5,8 Ah / 278 Wh	48 V / 5,8 Ah / 278 Wh	48 V / 5,8 Ah / 278 Wh
Weight flight battery	2 kg	2 kg	2 kg	2 kg	2 kg

* We reserve the right to make changes.

3 MODELS - 6 FUNCTIONS - MORE THAN 30 PATENTS PENDING



CITY
12" & 14" wheel



CRUISER
16" wheel



TOURER
20" wheel

FUNCTIONS



AUTO CLAMP
Automatic fixation
Clamping and unclamping in seconds



AUTO LIFT
Automatic lifting
Lifts and lowers the wheelchair completely effortlessly



TETRA CONTROLS
Special Tetra brake
Full control without exertion



MANUAL CLAMP
Strong and secure
Easy and universal fitting



MANUAL LIFT
Quick and easy
Comfortably lift yourself into the driving position



TRACK ASSISTANCE
Increased driving comfort and safety
The self-centring steering system straightens PAWS after release

ICON WHEELCHAIRS



Scan the code to watch our "Date" video and see our ICON 60 and PAWS in action.



Configuration shown:
 ICON 60 + Cruiser 16-inch, Standard Controls,
 AUTO CLAMP & AUTO LIFT

BEST FIT FOR PAWS

ICON 60 THE ACTIVE WHEELCHAIR



DESIGNED WITH HIGH ADJUSTABILITY

The new ICON 60 manual wheelchair is one of the most adjustable wheelchairs currently available. This latest addition to the REHASENSE portfolio which features a lightweight rigid 7000 Series Aluminium Alloy frame and carbon fibre side panels has been designed to enable the user to adjust various elements of the chair to suit their individual needs. The frame length and seat angle are adjustable and for maximum comfort, the backrest – which is foldable to assist with transporting the ICON 60 by car – can be adjusted forward by up to 20° or backwards by up to 10°.

TECHNICAL DATA

SWL	120 kg
Weight (without wheels and seat cushion)	from 6.9 kg
Seat widths	36-48 cm
Seat depths	42-46.5 cm (1.5 cm increment)
Seat angles	6°, 10°, 13°
Center of gravity adjustment	8 positions (1.3 cm increment)

* We reserve the right to make changes.

ICON 30 FAF THE LIGHTWEIGHT WHEELCHAIR



STABLE AND RELIABLE

The ICON 30 FAF is an extremely stable wheelchair that can be used for outdoor activities. The foldable wheelchair with its fixed anterior frame (FAF) offers several adjustment possibilities and can therefore be adjusted to the needs of its user. Depending on the user's activity level, different levels of adjustment can be selected. The front caster angle is adjustable, allowing a wide combination of seat heights and seat angles to support all types of wheelchair users.

TECHNICAL DATA

SWL	125 kg
Weight / Transport weight	13.6 kg (9.6 kg)
Seat widths	40, 45 cm
Seat depths	40, 45 cm
Width folded	35 cm
Total width	63, 68 cm

* We reserve the right to make changes.

BRAND AMBASSADORS



Tomasz Biduś after attending the QUFORA EGMONT OPEN 2022 rugby tournament in Denmark.

ABOUT TOMASZ BIDUŚ
Tomasz Biduś is a professional wheelchair rugby player and coach of the Brazilian national wheelchair rugby team.

"For me as a wheelchair user it is immensely important that I have products that meet my needs and support me in my mobile life. As an athlete you push yourself to your limits and always try to give your best. PAWS is the most innovative power add-on system for wheelchairs. It gives you a fantastic feeling of unlimited mobility."

FOR OUR ACTIVE LINE



ABOUT TOMASZ ŁYKO
Tomasz Łyko is a national representative for wheelchair basketball and an active rehabilitation instructor.

Scan the code to watch our video "Friends" with our brand ambassadors Tomasz Biduś and Tomasz Łyko.



The PAWS power add-on and the TRACK WHEEL outdoor front wheel were designed to be very easy to attach and detach from the wheelchair. The ICON 60 active wheelchair is one of the most flexible adjustable wheelchairs currently on the market. Being so highly adjustable, the user can achieve the perfect sitting position with optimum comfort and postural support.



REHASENSE

REHASENSE DENMARK
GLARMESTERVEJ 16 A, ST. TV.
8600 SILKEBORG,
DENMARK
☎ +49 176 588 788 01
✉ INFO@REHASENSE.COM

REHASENSE DEUTSCHLAND GMBH
STERNBERGER STRASSE 12,
32699 EXTERTAL,
GERMANY
☎ +49 2821 590 8587
✉ INFO@REHASENSE.COM

REHASENSE UK LIMITED/IRELAND
UNIT 2, HARMONY HOUSE
TRELEIGH INDUSTRIAL ESTATE
REDRUTH, CORNWALL TR16 4DE
UNITED KINGDOM
☎ +44 (0) 333 220 0704
✉ UKADMIN@REHASENSE.COM

REHASENSE SP. Z O.O.
SULEJOWSKA 45G
97-300 PIOTRKÓW TRYBUNALSKI
POLAND
☎ +48 880 331 272
✉ INFO@REHASENSE.COM

REHASENSE BENELUX
MARKEWEG 81
8398GM BLESIJKE,
NETHERLANDS
☎ +31 653 837 211
✉ INFO@REHASENSE.NL

REHASENSE CHINA
NO.289, WENGJIAO ROAD
XINYANG INDUSTRIAL AREA
361022 HAICANG, XIAMEN,
CHINA
☎ +86 592 688 4014
✉ EVELYN.CHEN@REHASENSE.COM

REHASENSE KOREA
1F. 338-46, DONGBUSUNHWAN-RO,
WONJU-SI 26454 GANGWON-DO,
REPUBLIC OF KOREA
☎ +82 070 4216 3429
✉ JONGSUNG.KIM@REHASENSE.COM

REHASENSE NEW ZEALAND
UNIT 4, 260 APIRANA AVENUE
GLEN INNES, AUCKLAND, 1072,
NEW ZEALAND
☎ +09 555 3111
✉ NZ-INFO@REHASENSE.COM

REHASENSE SVERIGE AB
POLHEMSGATAN 28, SE-392 39 KALMAR
SWEDEN
☎ +46 722 325 090
✉ MATS.LAVEBORN@REHASENSE.COM

REHASENSE MOBILITY CANADA LTD
137 BUTTERMILL AVENUE
CONCORD, ONTARIO, L4K 3X5
CANADA
☎ +1 289 654 1901
✉ INFO.CANADA@REHASENSE.COM

REHASENSE MENA
QETAF MEDICAL EST
3599 PRINCE MOHAMMED BIN
ABDULAZIZ ST,
SAUD LANGAWI CENTER, AL ANDALUS
JEDDAH 23326,
SAUDI ARABIA
☎ +96 650 664 1993
✉ SALES-MIDDLE-EAST@REHASENSE.COM

REHASENSE USA
1333 BURR RIDGE PARKWAY, SUITE 200
BURR RIDGE, IL 60527, USA
☎ +1 630 756 3099
✉ INFO-USA@REHASENSE.COM

Follow us on social media

